

TNT ASSOCIATION
THYROID NODULE THERAPIES
2nd T.N.T. MEETING

**JUNE
23-24
2023**

**REGGIO
EMILIA**



2nd International Meeting on
**Ultrasound-Guided Minimally
Invasive Therapies**

THYROID NODULE THERAPIES (T.N.T.) ASSOCIATION
WWW.THYROIDNODULETHERAPIESASSOCIATION.COM

RATIONALE

Minimally invasive, ultrasound (US)-guided thyroid treatment modalities are effective and safe alternatives to surgery in patients with benign thyroid cysts, solid non-functioning benign thyroid nodules, and in solid hyper-functioning nodules. In addition, they may also have a role in the management of primary micro-papillary tumors or recurrent thyroid cancers.

These procedures include the use of chemical agents such as Ethanol Ablation (EA), or thermal thyroid tissue destruction through Laser Ablation (LA), Radiofrequency Ablation (RFA), Microwave Ablation (MWA) and High Intensity Focused Ultrasound (HIFU).

During the 2nd TNT Meeting, that follows the success of the 1st TNT Meeting, first-class experts will chair outstanding speakers who will present the state-of-the-art of all ultrasound-guided thyroid minimally invasive procedures, and new horizons in the treatment of thyroid nodules.

Hands-on practice will also be available for those participants who want to try thermal ablation devices on their own.

MEETING PRESIDENT AND LOCAL ORGANIZER

Roberto Valcavi

The TNT (Thyroid Nodules Therapies) President

Health Director - Endocrine & Thyroid Clinic (ETC), Reggio Emilia, Italy

SCIENTIFIC COMMITTEE

Baek, Jung Hwan - *Seoul, South Korea*

Çakır, Bekir - *Ankara, Turkey*

Fukunari, Nobuhiro - *Yokoama, Japan*

Hodak, Steven - *New York City, NY, USA*

Mercante, Giuseppe - *Milan, Italy*

Novizio, Roberto - *Reggio Emilia, Italy*

Serres-Créixams, Xavier - *Barcelona, Spain*

Squarcia, Mattia - *Barcelona, Spain*

Valcavi, Roberto - *Reggio Emilia, Italy*

FACULTY

- Abraham, Devaprabu** - *Endocrinologist, Salt Lake City, UT, USA*
- Aljammal, Jules** - *Interventional Endocrinologist, Salt Lake City, UT, USA*
- Baek, Jung Hwan** - *Interventional Radiologist, RFA Specialist, Seoul, South Korea*
- Baldwin, Chelsey** - *Endocrinologist, New York City, NY, USA*
- Bhaseen, Ashok** - *TFI, Thyroid Federation International*
- Ceresini, Graziano** - *Endocrinologist, Parma, Italy*
- Colao, Annamaria** - *Endocrinologist & Molecular Oncologist, Naples, Italy*
- Evranos Oğmen, Berna** - *Endocrinologist, Ankara, Turkey*
- Fawzy, Mohamed** - *Radiologist, Il Cairo, Egypt*
- Frasoldati, Andrea** - *Endocrinologist, Reggio Emilia, Italy*
- Fukunari, Nobuhiro** - *Head & Neck Surgeon, Shinagawa-ku, Japan*
- Giannitto, Caterina** - *Radiologist, Milan, Italy*
- Gharib, Hossein** - *Endocrinologist, Rochester, MN, USA*
- Guttler, Richard** - *Interventional Endocrinologist, Santa Monica, CA, USA*
- Hodak, Steven** - *Endocrinologist, New York City, NY, USA*
- Mauri, Giovanni** - *Interventional Radiologist, Milan, Italy*
- Mercante, Giuseppe** - *Head & Neck Surgeon, Milan, Italy*
- Negro, Roberto** - *Endocrinologist, Lecce, Italy*
- Novizio, Roberto** - *Endocrinologist, Reggio Emilia, Italy*
- Papi, Giampaolo** - *Endocrinologist, Carpi, Italy*
- Passandi, Fateme** - *Endocrinologist, Teheran, Iran*
- Pontecorvi, Alfredo** - *Endocrinologist, Rome, Italy*
- Portioli, Italo** - *Endocrinologist & Internist, Dean, Reggio Emilia, Italy*
- Randolph, Gregory** - *Head & Neck Surgeon, Boston, MA, USA*
- Rosselet, Patrick Olivier** - *Endocrinologist, Lausanne, Switzerland*
- Russ, Gilles** - *Interventional Radiologist, Paris, France*
- Serres-Créixams, Xavier** - *Interventional Radiologist, Barcelona, Spain*
- Sinclair, Catherine** - *Head & Neck Surgeon, Malvern, VIC, Australia*
- Squarcia, Mattia** - *Interventional Radiologist, Barcelona, Spain*
- Turtulici, Giovanni** - *Interventional Radiologist, Genoa, Italy*
- Stan, Marius** - *Endocrinologist, Rochester, MN, USA*
- Vidili, Gianpaolo** - *Internist & Ultrasound Interventional Oncologist, Sassari, Italy*
- Valcavi, Roberto** - *Interventional Endocrinologist, Reggio Emilia, Italy*
- Volpi, Erivelto** - *Head & Neck Surgeon, São Paulo, Brazil*

DAY
1

**FRIDAY 23
JUNE 2023**

PROGRAM

SESSION 1 - Thyroid Anatomy and Ultrasonology **Chairmen: Fateme Passandi - Patrick Olivier Rosselet**

8:00 - 9:00 am	Registration
9:00 - 9:10 am	President's Welcome <i>Roberto Valcavi</i>
9:10 - 9:20 am	Introduction <i>Italo Portioli</i>
9:20 - 9:40 am	Ultrasound Normal Anatomy of the Neck and MRI & CT Scan Features <i>Caterina Giannitto</i>
9:40 - 10:00 am	Surgical Anatomy of the Neck and Structures at Risk During Ablative Therapies <i>Erivelto Volpi</i>
10:00 - 10:20 am	TIRADS & Scan Assistant Softwares and Artificial Intelligence <i>Giovanni Turtulici</i>
10:20 - 10:40 am	Thyroid Nodular Pathology: an Overview <i>Marius Stan</i>
10:40 - 11:00 am	Panel Discussion
11:00 - 11:30 am	<i>Coffee Break</i>

SESSION 2 - Diagnosis of Thyroid Nodules **Chairmen: Annamaria Colao - Hossein Gharib**

11:30 - 11:50 am	Fine Needle Aspiration Biopsy (FNAB) & Core Needle Biopsy (CNB). How to Manage with Hypervigilant Patients <i>Andrea Frasoldati</i>
11:50 - 12:10 pm	Thyroid Nodule Profiling using Next Generation Sequencing (NGS) and ThyroSeq <i>Steven Hodak</i>
12:10 - 12:30 pm	Contrast Enhanced Ultrasound (CEUS) in Thyroid Interventional Procedures <i>Xavier Serres-Créixams</i>
12:30 - 12:50 pm	The Importance of a Stable Procedural Workflow for Thyroid Ablative Procedures <i>Chelsey Baldwin</i>
12:50 - 1:10 pm	Panel Discussion
1:10 - 2:00 pm	<i>Light lunch</i>

DAY
1

FRIDAY 23
JUNE 2023

SESSION 3 - Minimally Invasive Thyroid Therapies
Chairmen: Marius Stan - Giampaolo Vidili

- 2:00 - 2:20 pm Thyroid US-Guided Minimally-Invasive Therapies.
Ambulatory or Operating Room Setting?
Roberto Valcavi vs Steven Hodak
- 2:20 - 2:40 pm How to Select a Nodule for Success
and to Protect Vital Structures
Catherine Sinclair
- 2:40 - 3:00 pm Learning Curve of Thyroid Ablative Procedures
Gilles Russ
- 3:00 - 3:20 pm Ethanol Ablation: Indication and Outcomes
Devaprabu Abraham
- 3:20 - 3:40 pm Panel Discussion
- 3:40 - 4:10 pm *Coffee Break*

SESSION 4 - Benign Thyroid Nodule Ablation
Chairmen: Jung Hwan Baek - Alfredo Pontecorvi

- 4:10 - 4:30 pm Thyroid Radiofrequency Ablation
Roberto Valcavi
- 4:30 - 4:50 pm Hyperfunctioning Thyroid Nodule Ablation
Jules Aljammal
- 4:50 - 5:10 pm Thyroid Laser Ablation
Roberto Negro
- 5:10 - 5:30 pm Thyroid HIFU Ablation
Mohamed Fawzy
- 5:30 - 5:50 pm Thyroid Microwave Ablation
Mattia Squarcia
- 5:50 - 6:10 pm Panel Discussion
- 8:00 - 9:00 pm Dinner Symposium - Molecular Testing of Thyroid Nodules
Yuri Nikiforov
- 9:00 pm Gala Dinner

SESSION 5 -Malignant Thyroid Tumors Management
Chairmen: Graziano Ceresini - Catherine Sinclair

9:00 - 9:20 am	Active Surveillance in Micropapillary Cancer (MicroPTC) <i>Hossein Gharib</i>
9:20 - 9:40 am	Thyroid Ablation of MicroPTC <i>Roberto Novizio</i>
9:40 - 10:00 am	Thyroid Microwave Ablation of Malignant Tumors <i>Giovanni Mauri</i>
10:00 - 10:20 am	Thyroid Radiofrequency Ablation of Inoperable Malignant Tumors <i>Jung Hwan Baek</i>
10:20 - 10:40 am	What is the Future of Thyroid Ablation? <i>Gregory Randolph</i>
10:40 - 11:00 am	Panel Discussion
11:00 - 11:30 am	Coffee Break

SESSION 6 - Beyond Thyroid Ablation
Chairmen: Berna Evranos Oğmen - Richard Guttler

11:30 - 11:50 am	Surgical and Pathological Changes after Thyroid Ablation <i>Nobuhiro Fukunari</i>
11:50 - 12:10 pm	Clinical Cases Discussion <i>Giampaolo Papi</i>
12:10 - 12:30 pm	Patient Advocacy: a Patient' Point of View <i>Ashok Bhaseen</i>

SESSION 7 - Lectio Magistralis
Chairmen: Gregory Randolph - Erivelto Volpi

12:30 - 1:10 pm	To Resect or not to Resect: this is the Question <i>Giuseppe Mercante</i>
-----------------	--

FINAL REMARKS

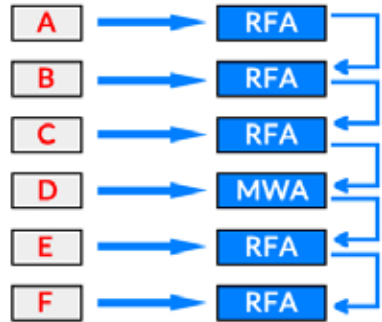
1:10 - 1:20 pm	New Perspectives for the T.N.T. Association <i>Roberto Valcavi</i>
1:20 - 2:20 pm	Light lunch

DAY
2 **SATURDAY 24**
JUNE 2023

SESSION 8 - Hands on course
(only for registered participants)

- Radiofrequency
- Microwave

Participants will be split into groups
(example: A, B, C, D, E, F), and each group
will be assigned to one station.
The numbers of stations & tutors would be
defined based on number of participants



GENERAL INFORMATION

MEETING VENUE

Best Western Classic Hotel

Via Pasteur 121/C

42122 - Reggio Emilia (RE)

Tel.: +39 0522 355411

Fax: +39 0522 333410

Email: info@classic-hotel.it

HOW TO REACH REGGIO EMILIA

BY PLANE: From Milan Malpensa Airport, the Trenord train service line connects Malpensa to Milano Centrale in about 50 minutes. Trains depart every 30 minutes. From Milan central station, Trenitalia and ItaloTreno connect Reggio Emilia AV Mediopadana in 44 minutes by train. Timetable on www.trenitalia.it - www.italotreno.it

BY TRAIN: From Rome Fiumicino airport, the non-stop train Leonardo Express arrives at Roma Termini station in 32 minutes. It departs every 15 minutes. From Rome Termini station, Trenitalia and ItaloTreno connect Reggio Emilia AV Mediopadana by train. Timetable on www.trenitalia.it - www.italotreno.it

BY CAR: Motorway A1 Milan-Bologna, Reggio Emilia exit

REGISTRATION RATE (VAT INCLUDED)

	Until April 30 th 2023	From April 30 th to May 31 st 2023	Late and on site registration
Participants without Hands on course	€ 300,00 <input type="checkbox"/>	€ 400,00 <input type="checkbox"/>	€ 500,00 <input type="checkbox"/>
T.N.T. Members/Students Trainee/People from developing countries without Hands on course*	€ 250,00 <input type="checkbox"/>	€ 350,00 <input type="checkbox"/>	€ 400,00 <input type="checkbox"/>
With Hands on course**	€ 350,00 <input type="checkbox"/>	€ 450,00 <input type="checkbox"/>	—————

*Together with the payment, please send the certificate attesting membership in the T.N.T. association, student status or origin from developing countries

**Only participants who have registered before may 31st 2023 will be admitted to the course.
It will not be possible to register after this date and on site

CME - For Italian participants only

Provider:

TRAVEL AND LOCAL AGENCY

ITINERE | Viale B. Ramazzini, 72 - 42124 Reggio Emilia

<https://www.itinere.re.it/en/>

giulia.bacci@itinere.re.it

ORGANIZING SECRETARIAT

FASI SRL | Via R. Venuti, 73 - 00162 Rome

Tel. +39/0697605610

www.fasiweb.com

Livia Fioravanti

l.fioravanti@fasiweb.com

TNT ASSOCIATION
THYROID NODULE THERAPIES
2nd T.N.T. MEETING

WWW.THYROIDNODULETHERAPIESASSOCIATION.COM

ORGANIZING SECRETARIAT



FASI s.r.l. | Via R. Venuti 73 | 00162 Roma
tel. 06 97605610 | Fax 06 97605650
www.fasiweb.com

